

Wafer Check Valve

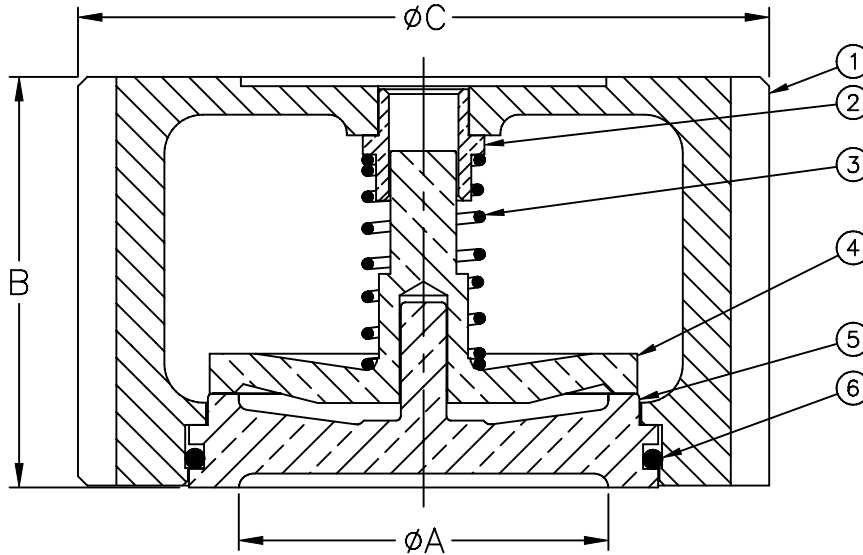
Silent Check

Model 888



Sizes 2" Thru 6" / 50 mm & 150 mm

Materials



Item #	Qty	Description	Material	ASTM
1	1	Body (Epoxy Coated)	Cast Iron	A126, Class B
2	1	Bushing	Bronze	C89833
3	1	Spring	Stainless Steel	302
4	1	Poppet	Bronze	C89833
5	1	Seat Ring*	Bronze	C89833
6	1	O'Ring	Buna-n	-----

*OPTIONAL RESILIENT SEAT AVAILABLE, ADD "R" TO THE PART NUMBER

Max Temp 180°F (82°C)

Max Inlet Pressure (125#) 200 psi (14bar)

Max Inlet Pressure (250#) 400 psi (27bar)

PATENT # 6,024,121

Dimensions

Size		Part #	A		B		C		Weight		# of Bolts		Bolt Size by Flange	
inch	mm		inch	mm	inch	mm	inch	mm	lbs	kg	125#	250#	125#	250#
2	50	2434	2-13/32	61	2-43/64	68	4-1/2	114	5	2.5	4	8	5/8 x 5-1/4	5/8 x 5-1/2
2-1/2	65	2432	2-9/16	65	2-7/8	73	5	127	7	3	4	8	5/8 x 5-1/4	3/4 x 6-1/2
3	80	2435	3-1/4	83	3-13/64	81	5-3/4	146	11	5	4	8	5/8 x 6-1/4	3/4 x 7
4	100	2436	4-3/8	111	4-1/16	103	7-3/16	183	18	8	8	8	5/8 x 7	3/4 x 8
5	125	2433	5-1/4	133	4-3/4	121	8-3/8	213	25	11.5	8	8	3/4 x 7-3/4	3/4 x 9
6	150	2437	5-29/32	150	5-5/8	143	9-3/4	248	36	16.5	8	12	3/4 x 8-3/4	3/4 x 10

Danfoss Flomatic can accept no responsibility for possible errors in catalogues, brochures and other printed material. Danfoss Flomatic reserves the right to alter its products without notices. This also applies to product already agreed. All trademarks in this material are property of the respective companies. All right reserved. ©2009 Danfoss Flomatic Corporation. The drawings & information on this drawing sheet are the sole & exclusive property of Danfoss Flomatic Corporation. Any reproduction, distribution, display or use of these drawings or information in whole or in part without written authorization of Danfoss Flomatic Corp is strictly prohibited.

DANFOSS FLOMATIC CORP.
GLENS FALLS, N.Y. 12801
PHONE (518) 761-9797
FAX (518) 761-9798

April 4, 1995
Dwg No: S888-1 Rev L (4/09)

FLOMATIC®